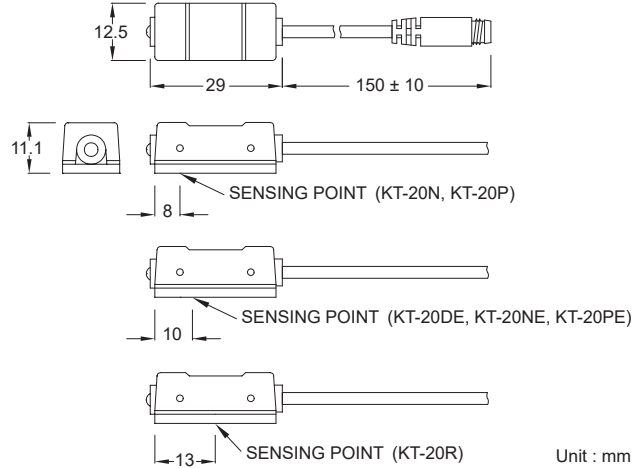


# KT-20 SERIES



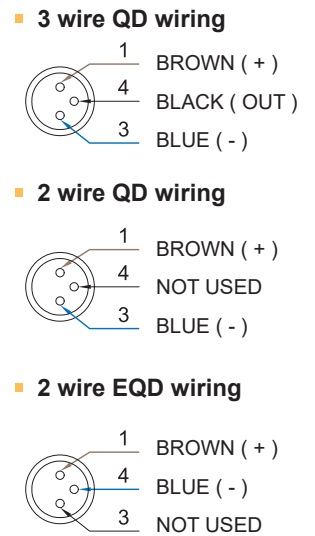
## Dimensions

KT-20R, KT-20DE, KT-20N, KT-20NE, KT-20P, KT-20PE /  
KT-20R-QD, KT-20DE-QD, KT-20N-QD, KT-20NE-QD,  
KT-20P-QD, KT-20PE-QD



Unit : mm

## QD Pinout



## Specifications

MODEL	KT-20R	KT-20DE	KT-20N	KT-20NE	KT-20P	KT-20PE
Connect Diagram						
Characteristics	2-Wire type		3-Wire type			
Wiring Method	2-Wire type		3-Wire type			
Switching Logic	SPST, Normally Open		Solid State Output, Normally Open			
Sensor Type	Reed Switch	-	NPN Current Sinking		PNP Current Sourcing	
Operating Voltage	5 ~ 240 V DC / AC		5 ~ 30 V DC			
Switching Current	100 mA max.	50 mA max.	200 mA max.			
Contact Rating *1	10 W max.	1.5 W max.	6 W max.			
Current Consumption	-		15 mA @ 24 V DC max.	6 mA @ 24 V DC max.	15 mA @ 24 V DC max.	6 mA @ 24 V DC max.
Voltage Drop	3.5 V max.	3.7 V max.	1.5 V max.	0.5 V max.	1.5 V max.	0.5 V max.
Leakage Current	-	0.1 mA (40 uA) max.	0.01 mA max.			
Indicator	Green LED		Red LED		Green LED	
Cable	ø4, 2C, PVC		ø4, 3C, PVC			
Operating Frequency	200 Hz		1000 Hz max.			
Magnet Requirement *2	80 Gauss	50 ~ 1000 Gauss	70 Gauss	50 ~ 1000 Gauss	70 Gauss	50 ~ 1000 Gauss
Temperature Range	-10 ~ 70 °C					
Shock *3	30 G		50 G			
Vibration *4	9 G					
Enclosure Classification	IEC 60529 IP67					
Protection Circuit *5	1	3, 4	2, 3, 4	3, 4	2, 3, 4	3, 4

### NOTE:

\*1 : WARNING : Never exceed rating ( Watt = Voltage x Amperage ).  
Permanent damage to sensor will occur.

\*2 : Measuring standard target : ø15.5 × ø8 × 5t ( Anisotropy rubber magnet )

\*3 : Sin wave / X , Y , Z 3 directions / 3 times each direction / 11 ms each time.

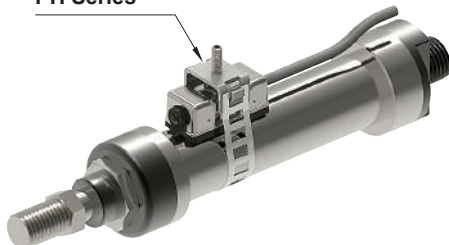
\*4 : Double amplitude 1.5 mm / 10 Hz ~ 55 Hz ~ 10 Hz ( Sweep 1 min ) / X , Y , Z 3 directions / 1 hour each time.

\*5 : 1 = None / 2 = Short-circuit / 3 = Power Source Reverse polarity / 4 = Surge Suppression

## Clamps / Bracket

KT-20 & KT-21 series can be applied to many kind of cylinders

PH Series



PI Series

